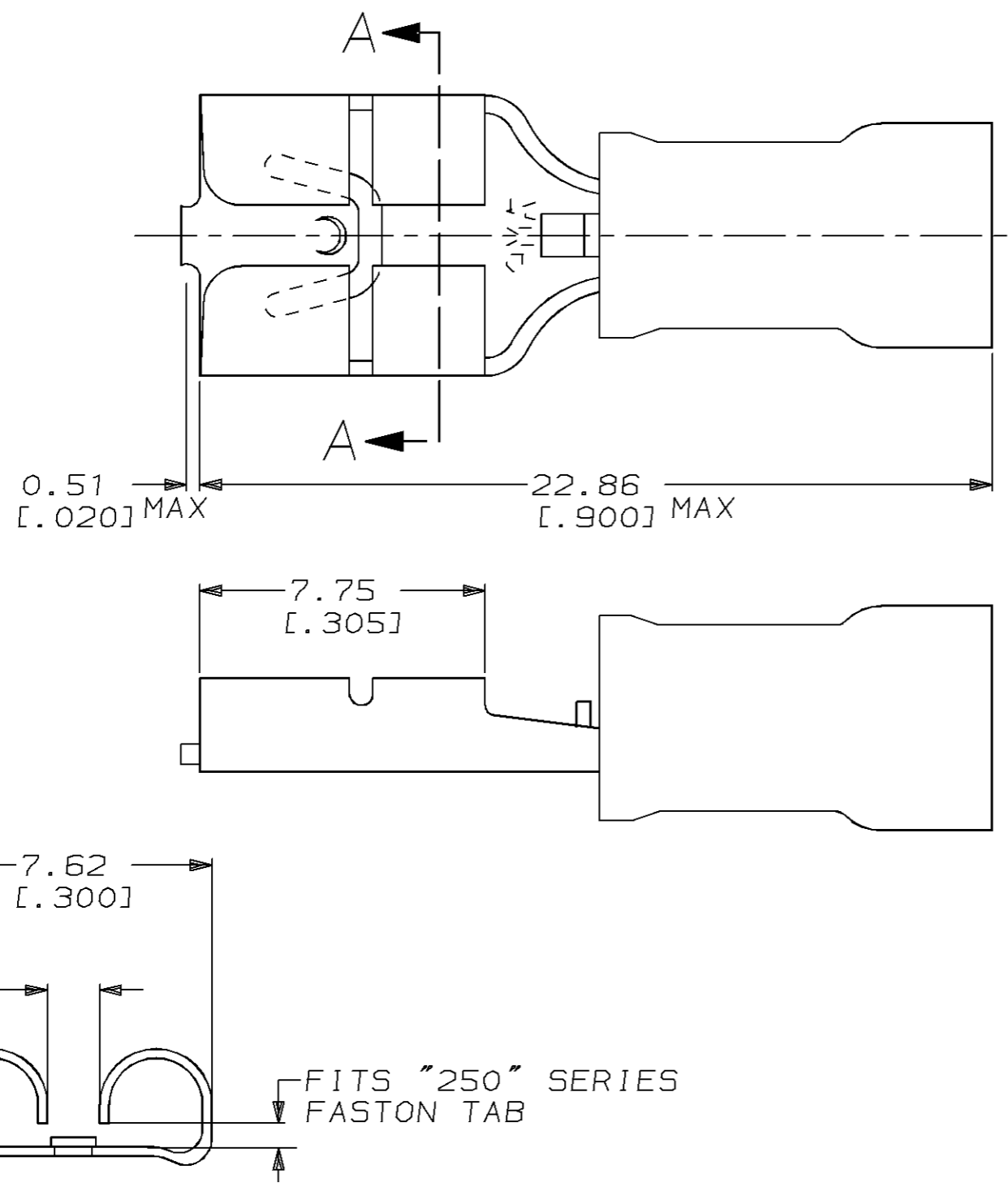


THIS DRAWING IS UNPUBLISHED. RELEASED FOR PUBLICATION, 19 .
 © COPYRIGHT 19 BY AMP INCORPORATED. ALL RIGHTS RESERVED.

LOC	DIST	REVISIONS					
		P	LTR	DESCRIPTION	DATE	DWN	APVD
G	14		0	REL PER 96-1164-005	10JUN96	LO	BB



- 1. INSULATION DIA 3.43 [.135] MAX
- 2. FITS TAB 0.81 [.032] THK

QTY	PACKAGE TYPE	PART NO
-	-	-
-	-	-
-	TAPE MOUNTED	184262-2
-	LOOSE PIECE	184262-1

**AMP INCORPORATED
CUSTOMER SERVICE SYSTEM**

FOR ADDITIONAL PRODUCT INFORMATION OR COPIES OF DRAWINGS AND TECHNICAL DOCUMENTS: PRODUCT INFORMATION CENTER 1-800-522-6752

FOR APPLICATION TOOLING INFORMATION: TOOLING ASSISTANCE CENTER 1-800-722-1111

FOR ORDER ENTRY: 1-800-526-5142

MAX RECOMMENDED OPERATING TEMPERATURE: -

VOLTAGE RATING: -

CIRCULAR MIL AREA: -

THIS DRAWING IS A CONTROLLED DOCUMENT FOR AMP INCORPORATED. IT IS SUBJECT TO CHANGE AND THE CONTROLLING ENGINEERING ORGANIZATION SHOULD BE CONTACTED FOR THE LATEST REVISION.

DIMENSIONS: mm [in]

TOLERANCES UNLESS OTHERWISE SPECIFIED:

0 PLC	±-
1 PLC	±-
2 PLC	±0.38 [.015]
3 PLC	±-
4 PLC	±-
ANGLES	±-

MATERIAL: BODY, BRASS .018; SLV, NYLON, COLOR, RED

FINISH: BODY, TIN

DWN L OLMEDA 29MAY96
 CHK M ELLIS 29MAY96
 APVD B BARE 29MAY96

PRODUCT SPEC -
 APPLICATION SPEC -
 WEIGHT -

CUSTOMER DRAWING

AMP AMP Incorporated
 Harrisburg, PA 17105-3608

NAME RECEPTACLE, 250 SERIES, LOW INSERTION FORCE, FASTON™, PIDG™, WIRE SIZE, 22-18 AWG

SIZE A3 CAGE CODE 00779 DRAWING NO C-184262

SCALE 6:1 SHEET 1 OF 1 REV 0